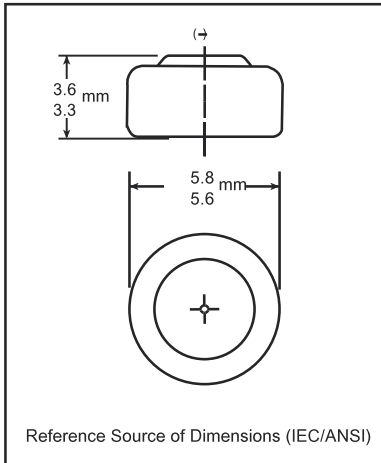
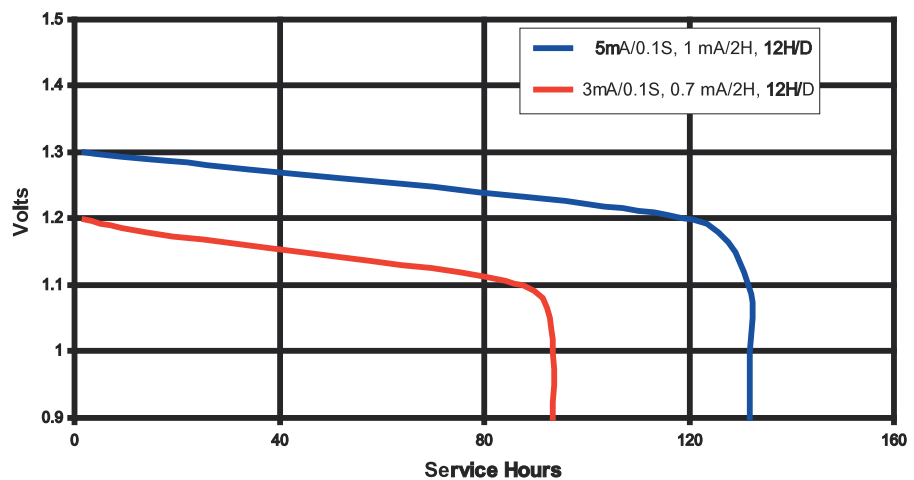




Nominal Voltage:	1.4 V
Rated Capacity:	95 mAh at 3000 ohm to 1.1 V
Nominal Internal Impedance:	16 ohm @ 1kHz
Average Weight:	0.3 gm
Volume:	0.06 cm ³
Terminals:	Flat
Operating Temperature Range:	0°C to 50°C (32°F to 122°F)
ANSI: IEC:	7005 ZD PR70



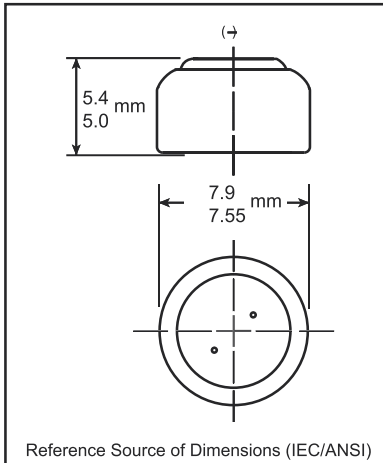
Typical Discharge Characteristics at 21°C (70°F)



DURACELL® BATTERIES

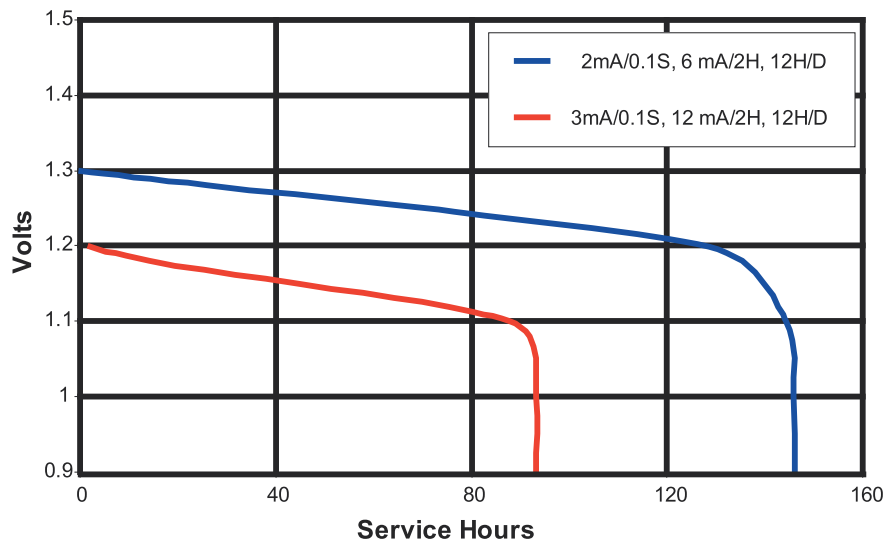
Berkshire Corporate Park
Bethel, CT 06801 U.S.A.
Telephone: Toll-free 1-800-544-5454
Internet: www.duracell.com

* Delivered capacity is dependent on the applied load, operating temperature and cut-off voltage. Please refer to the charts and discharge data shown for examples of the energy / service life that the battery will provide.



Nominal Voltage:	1.4 V
Rated Capacity:	300 mAh at 1500 ohm to 1.1 V
Nominal Internal Impedance:	7.5 ohm @ 1kHz
Average Weight:	0.8 gm
Volume:	0.26 cm ³
Terminals:	Flat
Operating Temperature Range:	0°C to 50°C (32°F to 122°F)
ANSI:	7000 ZD
IEC:	PR48

Typical Discharge Characteristics at 21°C (70°F)

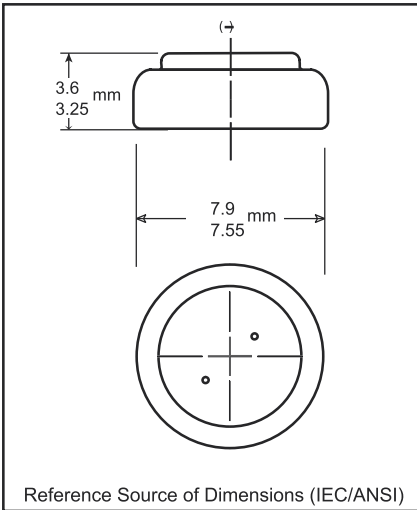


DURACELL®

BATTERIES

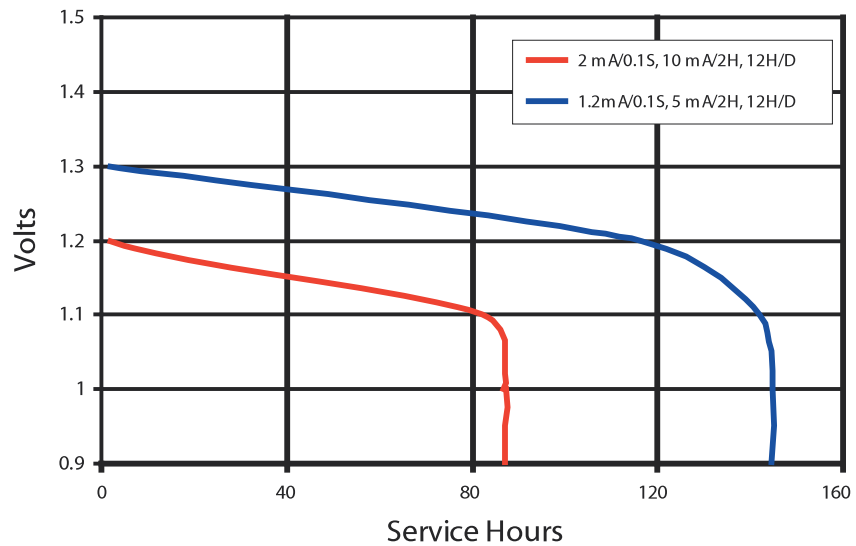
Berkshire Corporate Park
Bethel, CT 06801 U.S.A.
Telephone: Toll-free 1-800-544-5454
Internet: www.duracell.com

* Delivered capacity is dependent on the applied load, operating temperature and cut-off voltage. Please refer to the charts and discharge data shown for examples of the energy / service life that the battery will provide.



Nominal Voltage:	1.4 V
Rated Capacity:	175 mAh at 1500 ohm to 1.1 V
Nominal Internal Impedance:	7.5 ohm @ 1kHz
Average Weight:	0.5 gm
Volume:	0.18 cm ³
Terminals:	Flat
Operating Temperature Range:	0°C to 50°C (32°F to 122°F)
ANSI:	7002 ZD
IEC:	PR41

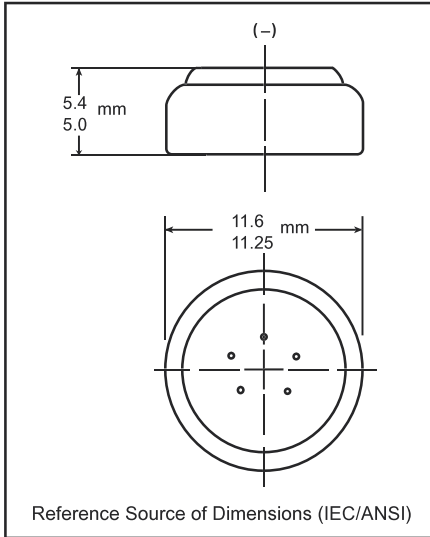
Typical Discharge Characteristics at 21 °C (70 °F)



DURACELL® BATTERIES

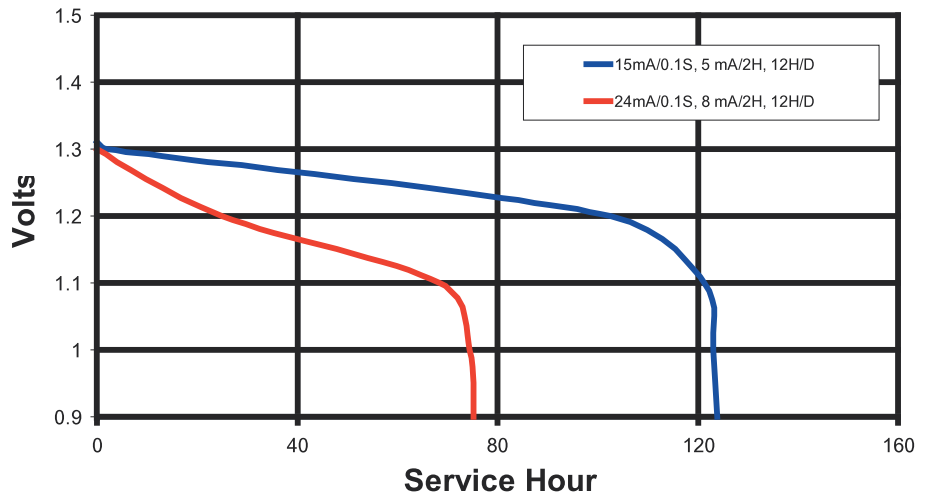
Berkshire Corporate Park
Bethel, CT 06801 U.S.A.
Telephone: Toll-free 1-800-544-5454
Internet: www.duracell.com

* Delivered capacity is dependent on the applied load, operating temperature and cut-off voltage. Please refer to the charts and discharge data shown for examples of the energy / service life that the battery will provide.



Nominal Voltage:	1.4 V
Rated Capacity:	610 mAh at 620 ohm to 1.1 V
Nominal Internal Impedance:	3 ohm @ 1kHz
Average Weight:	1.8 gm
Volume:	0.57 cm ³
Terminals:	Flat
Operating Temperature Range:	0°C to 50°C (32°F to 122°F)
ANSI:	7003 ZD
IEC:	PR44

Typical Discharge Characteristics at 21°C (70°F)



DURACELL®

BATTERIES

Berkshire Corporate Park
Bethel, CT 06801 U.S.A.
Telephone: Toll-free 1-800-544-5454
Internet: www.duracell.com

* Delivered capacity is dependent on the applied load, operating temperature and cut-off voltage. Please refer to the charts and discharge data shown for examples of the energy / service life that the battery will provide.